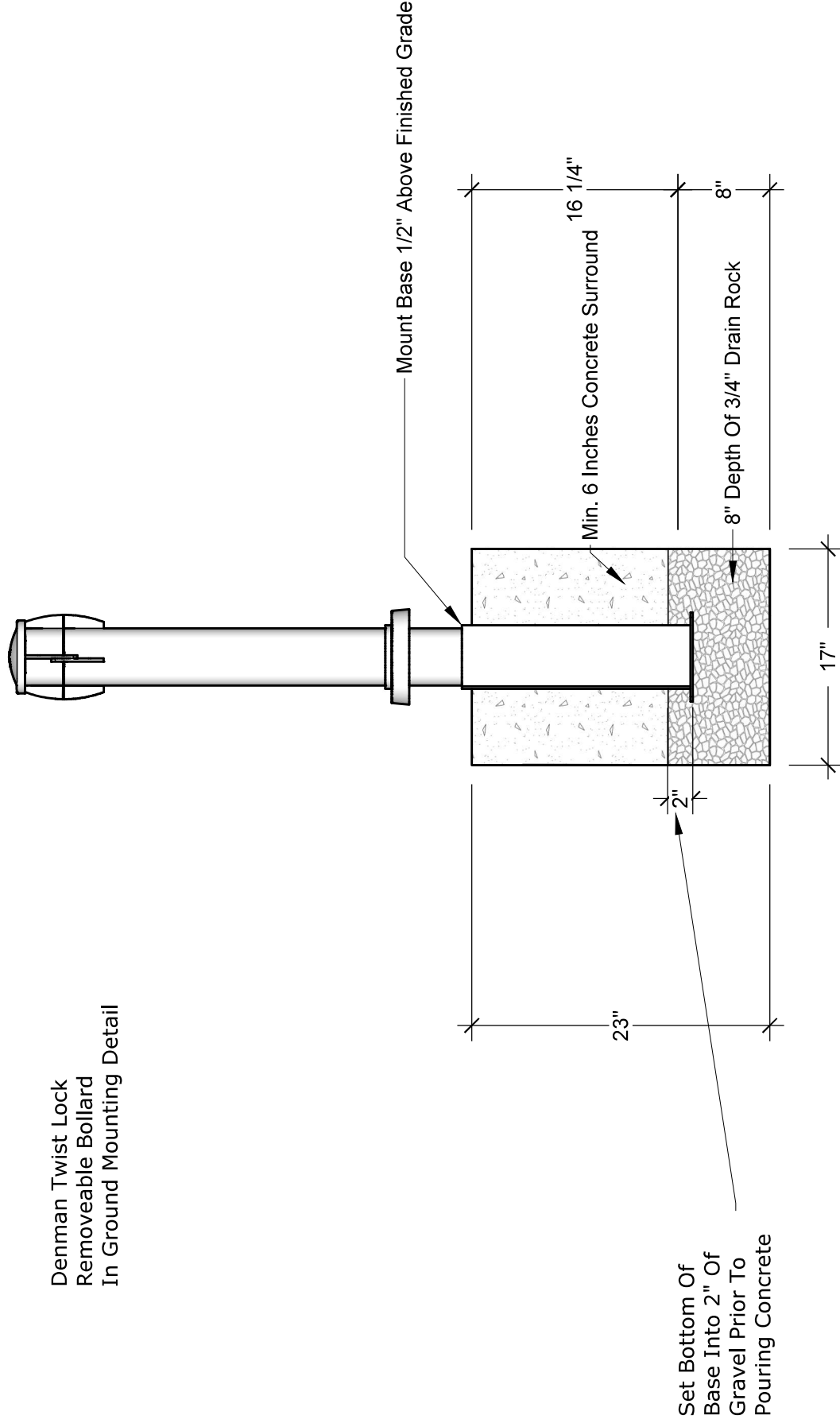



Denman Twist Lock
Removeable Bollard
In Ground Mounting Detail



	WISHBONE SITE FURNISHINGS 210 - 27090 GLOUCESTER WAY LANGLEY, BC		
	DWG. TITLE: Denman Removeable Bollard REVISION: Installation Guide		
MATERIAL: STEEL	DWG. NO. DWSCBN24032300	DRAWN BY: Jay Meneely	DATE: 12 Aug 2024
PATTERN NO. N/A	MODEL NO. DRB-36	SCALE: 1:12	SHEET: 5 of 5